

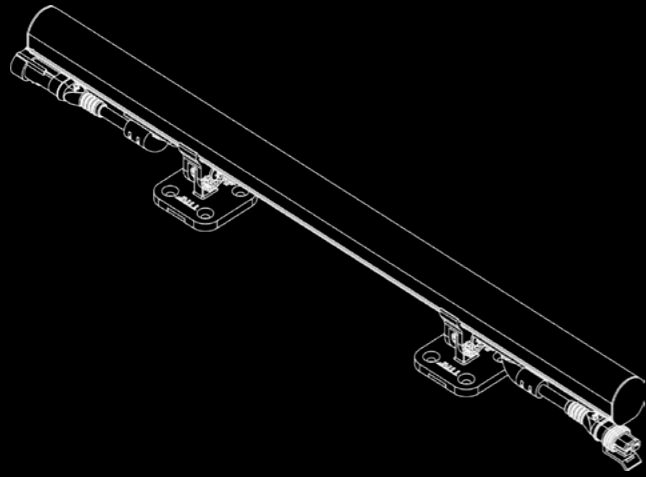


FACADE
LIGHTING
SOLUTIONS

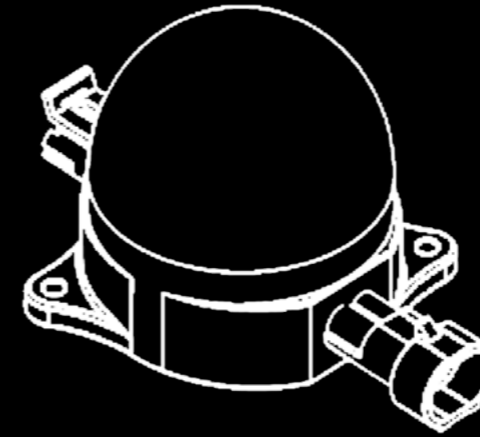
2023 v1



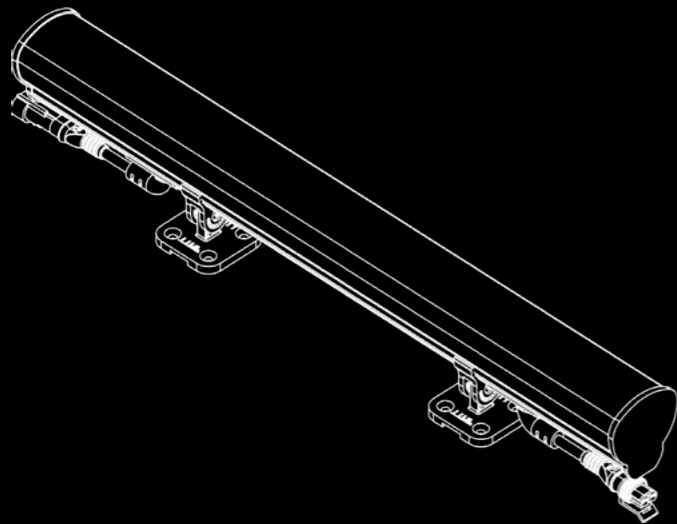
TODAY, TOMORROW AND FOREVER...



01 / VOLANS®v1



03 / SCORPIUS®

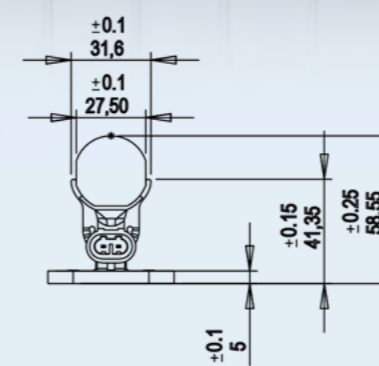
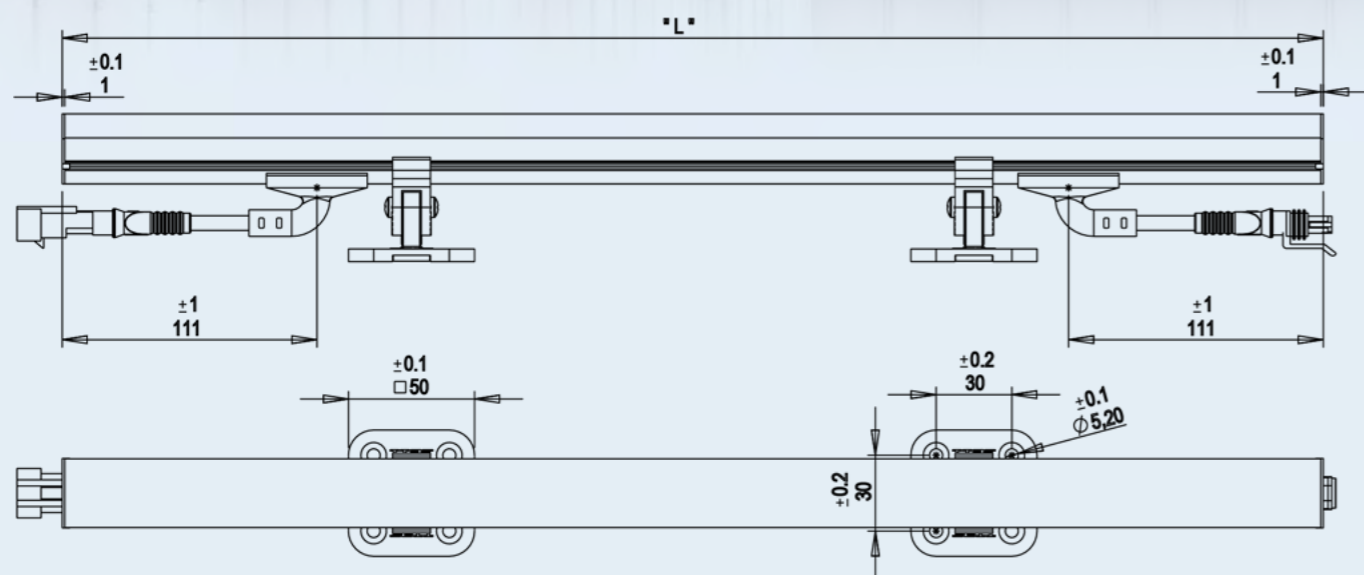


02 / VOLANS®v2



VOLANS[®]v1

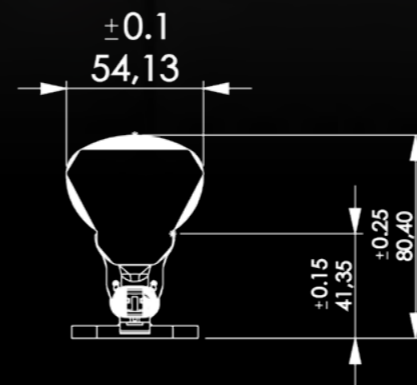
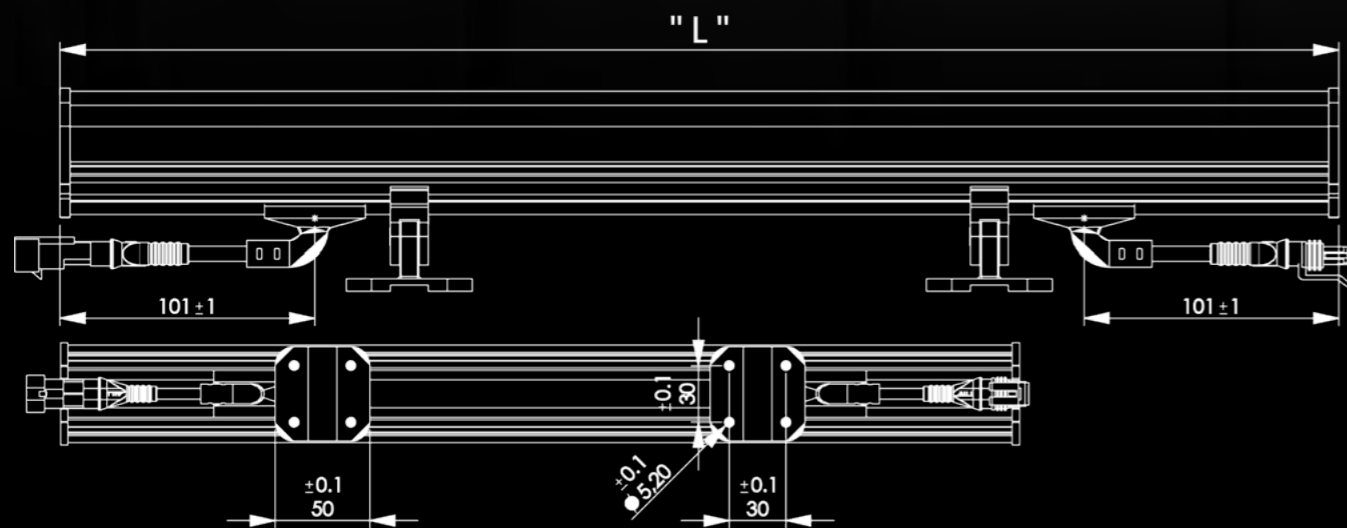
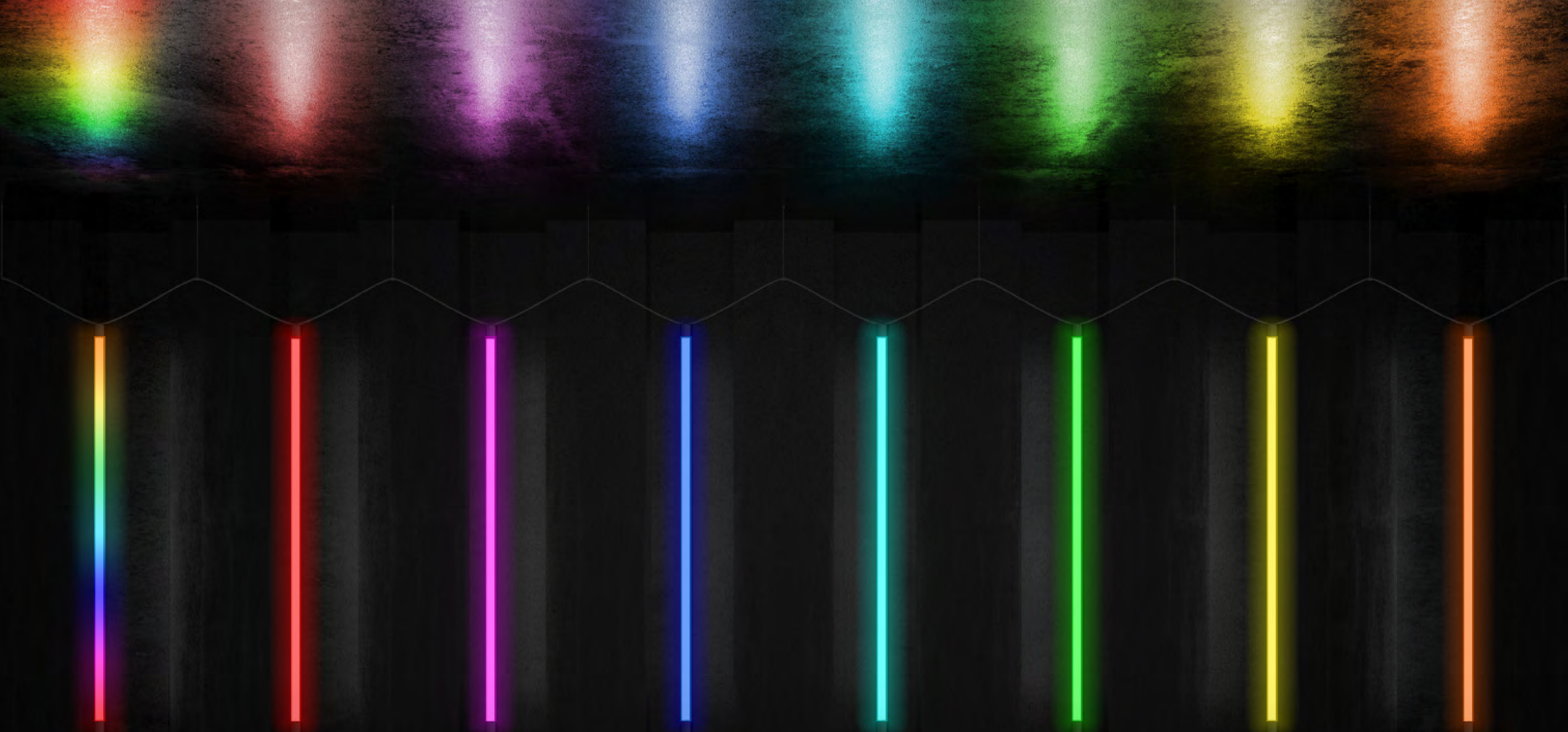
Volans[®] easily adapts to any environment thanks to its aerodynamic profile design and lightness. It provides a long-lasting LED lighting solution that can be mounted directly on surfaces. Its complete solutions, including control mechanism, remote management, modular structure, IP67 connector and adjustable feet, provide an easy-to-use experience to the user. Volans[®] saves energy as well as powerful lighting. In addition, Volans, which has a polycarbonate body to be resistant to wind, rain, dust and heat, can be used safely for many years. With all these features, Volans[®] is one of the most innovative and sustainable LED lighting solutions in the industry. The difference between Volans[®] v1 and v2 is the size difference.



Body Material	Polycarbonate
Lens Angle	117°
Power Consumption	16.5W, 18W, 24W
Source of Light	LED
Operating Voltage	24V, 36V, 220V
Color Temperature	2700K~6500K
CRI	>80
IP Class	IP67
Luminous Flux (lm)	630 lm~2472 lm

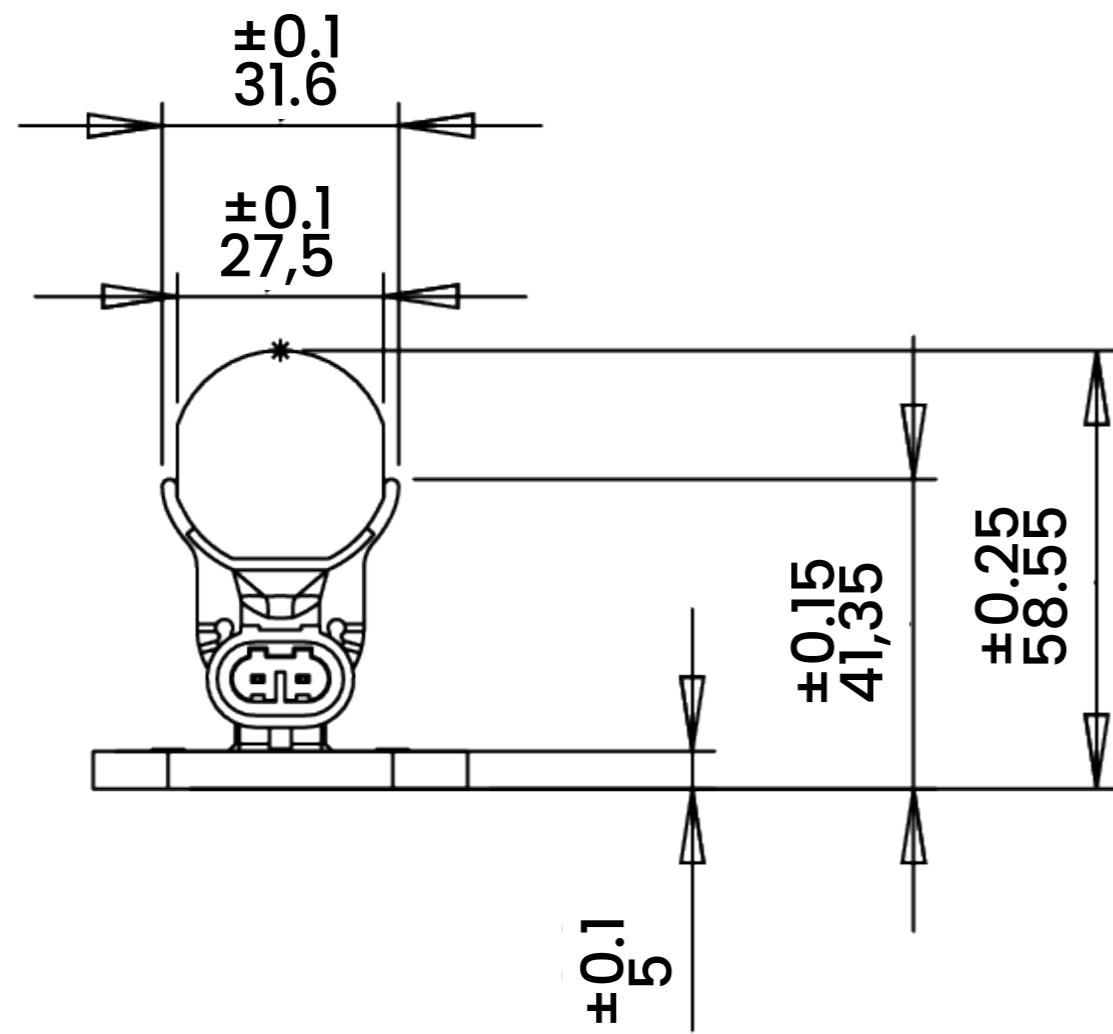
VOLANS® v2

Volans® can be easily applied to any space thanks to its aerodynamic profile design and lightness. It provides a long-lasting LED lighting solution that can be mounted directly on surfaces. With its complete solutions including controllers, remote management, modular structure, IP67 connector and adjustable feet, Volans® provides an easy-to-use experience to the user. Volans® provides energy saving as well as powerful lighting. In addition, Volans®, which has a polycarbonate body to be resistant to wind, rain, dust and heat, provides long-lasting illumination and maximum efficiency thanks to its high light transmittance. Volans®, coated with magnetic materials, has an easy assembly feature in indoor applications. A first mounting option with neodymium magnets is also available. With all these features, Volans® is one of the most innovative and sustainable LED lighting solutions in the industry. The difference between Volans® v1 and v2 is the size difference.

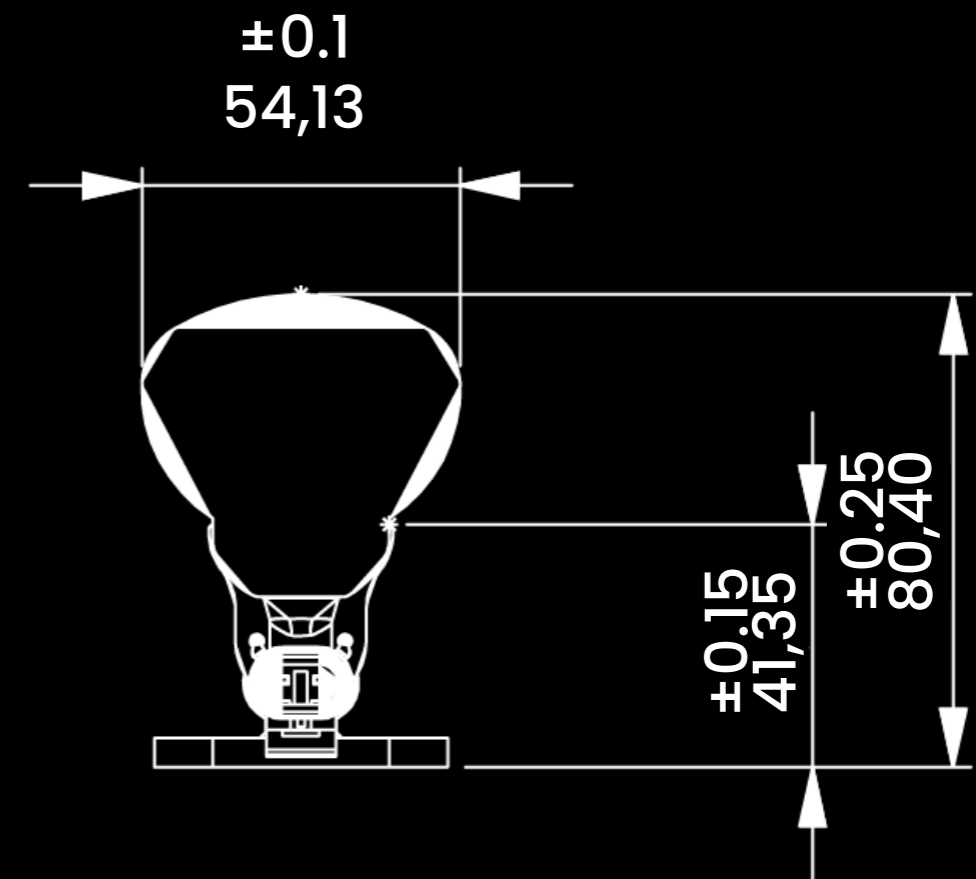


Body Material	Polycarbonate
Lens Angle	117°
Power Consumption	16.5W, 18W, 24W
Source of Light	LED
Operating Voltage	24V, 36V, 220V
Color Temperature	2700K~6500K
CRI	>80
IP Class	IP67
Luminous Flux (lm)	789lm~ 1722lm

VOLANS[®]v1



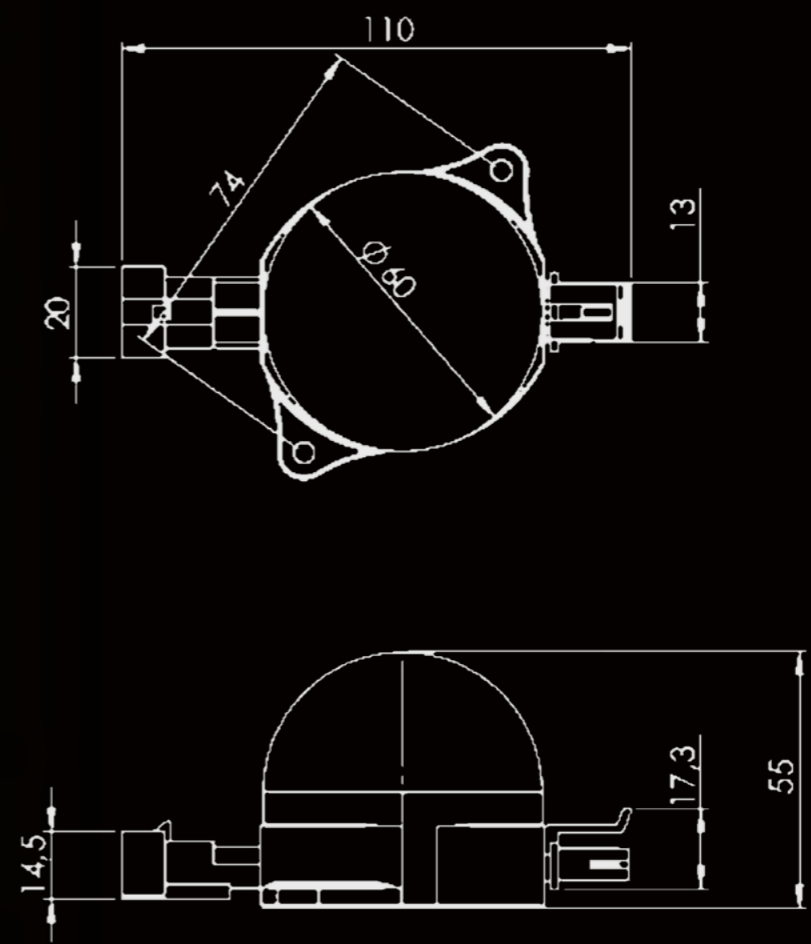
VOLANS[®]v2





SCORPIUS®

Scorpius® is a DOT LED consisting of a polycarbonate diffuser and engineering plastics resistant to thermal and mechanical impacts. It is suitable for both indoor and outdoor lighting. With its modular structure, IP67 connectors and replaceable covers, it makes the user experience perfect. It is resistant to harsh climates and is not affected by water, dust and mud. It is easy to assemble and applied in the desired range. Thanks to its replaceable covers, it offers 7 different color options: cold white, warm white, amber, red, blue, green and purple. 80 pieces for 220 Volt wired connections and 50 pieces for 24 Volt wired connections can be added one after the other. With all its features, it provides a sustainable solution to every environment and demand.



Body Material	ABS
Lens Angle	135°
Power Consumption	1,2W ~ 6,5W
Source of Light	Mid Power LED
Operating Voltage	12 VDC / 21,5 ~ 30 VDC / 210 ~ 240 VAC
Color Temperature	3000K~6500K
CRI	>80
IP Class	IP67
Luminous Flux (lm)	112 lm~578 lm

TODAY, TOMORROW
AND
FOREVER...

